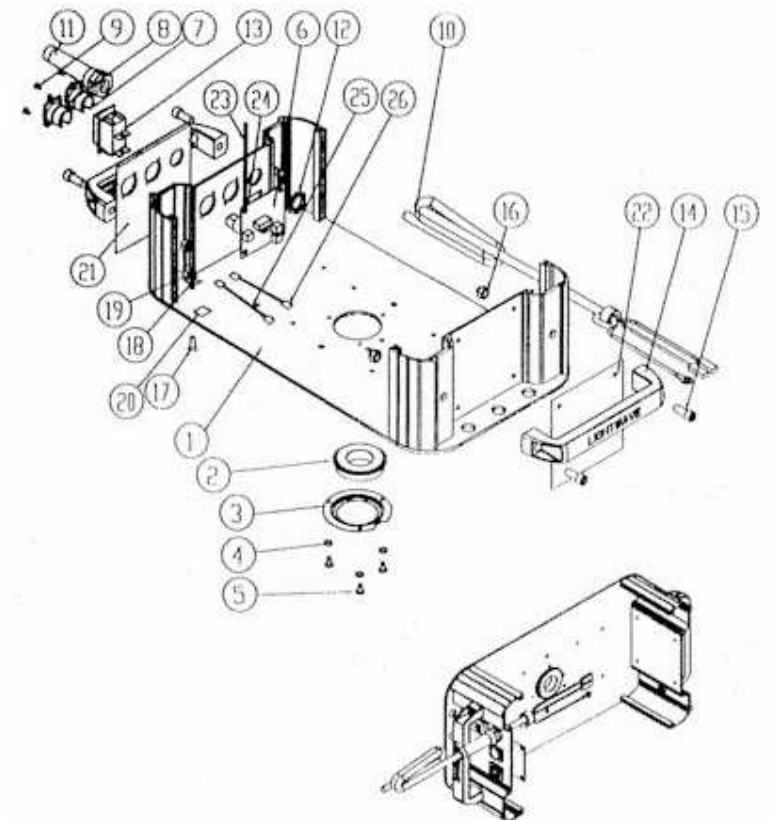


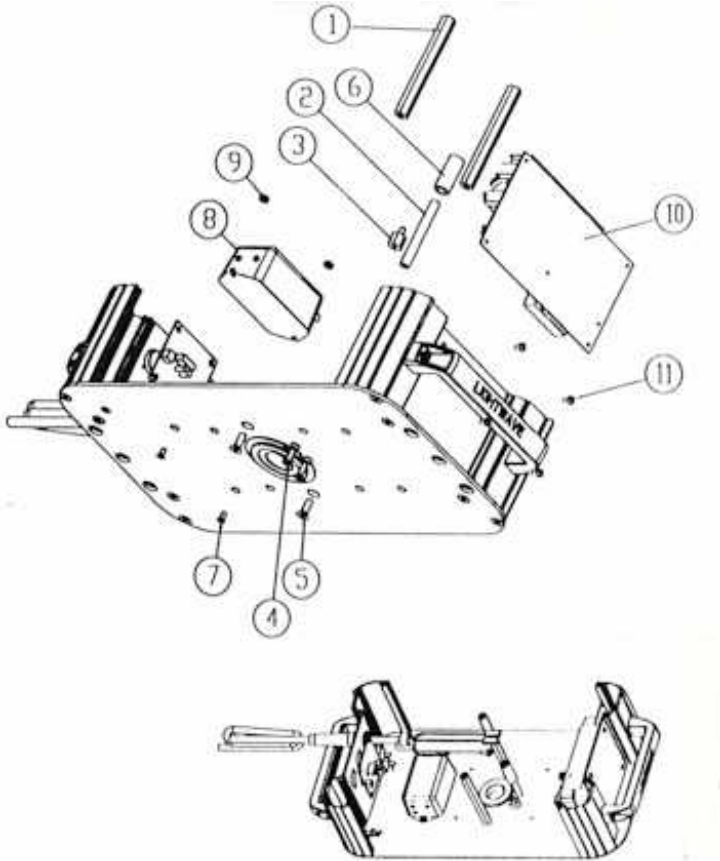
STUDIO COLOR 575

Box Exterior



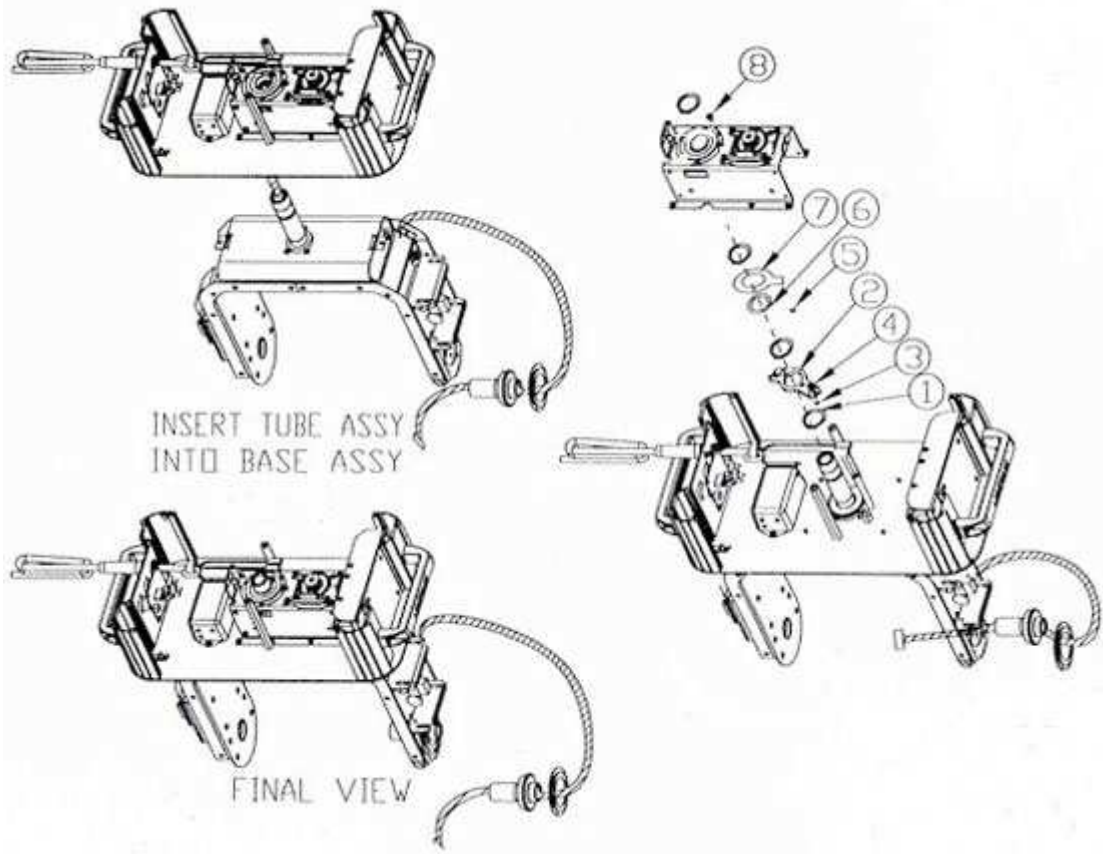
1.	80071218	Top Box Assy.
2.	90719007	Bearing, Tech 6006-2RSNR StC
3.	99260250	Cap, Bearing Support
4.	90709043	Screw, Phil Pan #8 x 3/8 Type B SS
5.	90706017	Washer, Lock #8 Int Tooth
6.	80010062	Board, Link Comm
7.	90404002	Connector, DHNF Male Housing (XLR)
8.	90404001	Connector, DHNF Female Housing (XLR)
9.	90711010	Screw, Phil Flat #4 x 1/4
10.	80470181	Cord, AC 16 ga.
11.	90414008	Strain Relief, Powergrip
12.	90703030	Nut, 1/2 NPT Strain Relief
13.	90405140	Breaker, Circuit 16 Amp
14.	90720006	Handle, Large W/Logo
15.	90707057	Socket Cap 5/16-18 x 3/4 Nickel Alloy
16.	90703033	Nut, Lock 5/16-18 Nylon Insert
17.	90711033	Screw, Phil Flat 8-32 x 5/8
18.	90408010	Terminal Block, Molex
19.	90703023	Nut, Keps 8-32
20.	99410036	Label ETL Side
21.	99310280	Label, Side Data In/Out
22.	99410006	Label, CE/UL Ground Wire
23.	80470116	Cable, Link Comm
24.	99330007	Tie Wrap
25.	80470125	Wire, Ground Logic PCB
26.	80470128	Wire, Ground Lamp Power Supply

Box Interior A



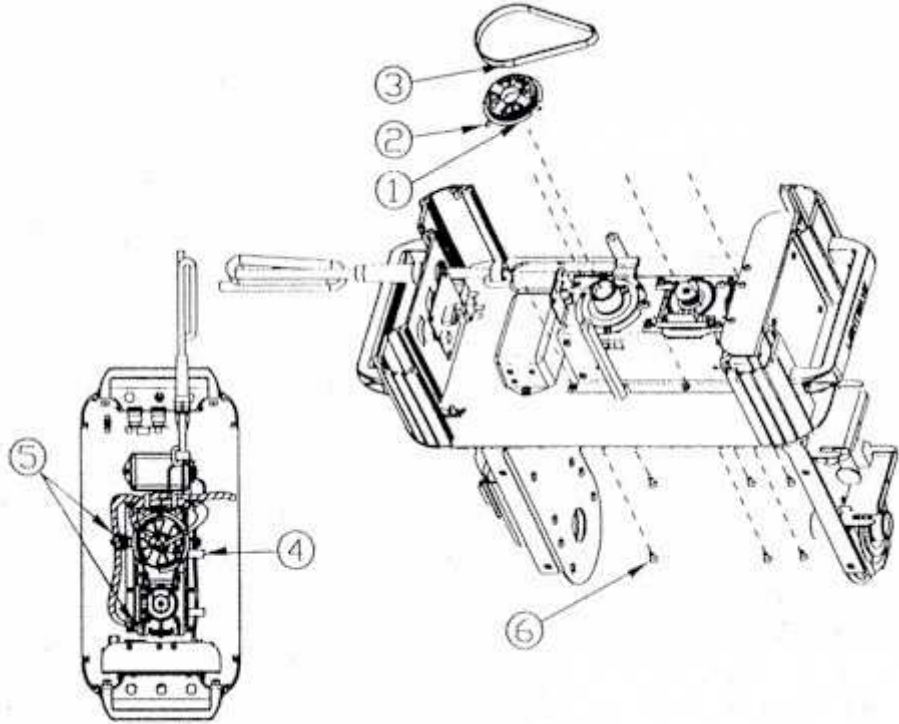
1.	90702066	Hex Housing Standoff
2.	90702001	Standoff 10 - 32 x 3/8 x 3"
3.	90702110	Standoff 1/2 Hex M-F 10 - 32 x 1/2
4.	90708009	Screw, Socket Flathead 10 - 32 x 1/2
5.	90708013	Screw, Socket Flathead 1/4 20 x 3/4
6.	90717022	Tubing, 3/8 SAE 30R7 Fuel
7.	90708005	Screw, Socket Flathead 8 -32 x 3/8
8.	90601028	Filter, 10 Amp EMI
9.	90703023	Nut, Keps 8 -32
10.	80050024	Board, Motor Power Supply
11.	90709065	Screw, Phil Pan 8 - 32 x 5/16

Box Interior B



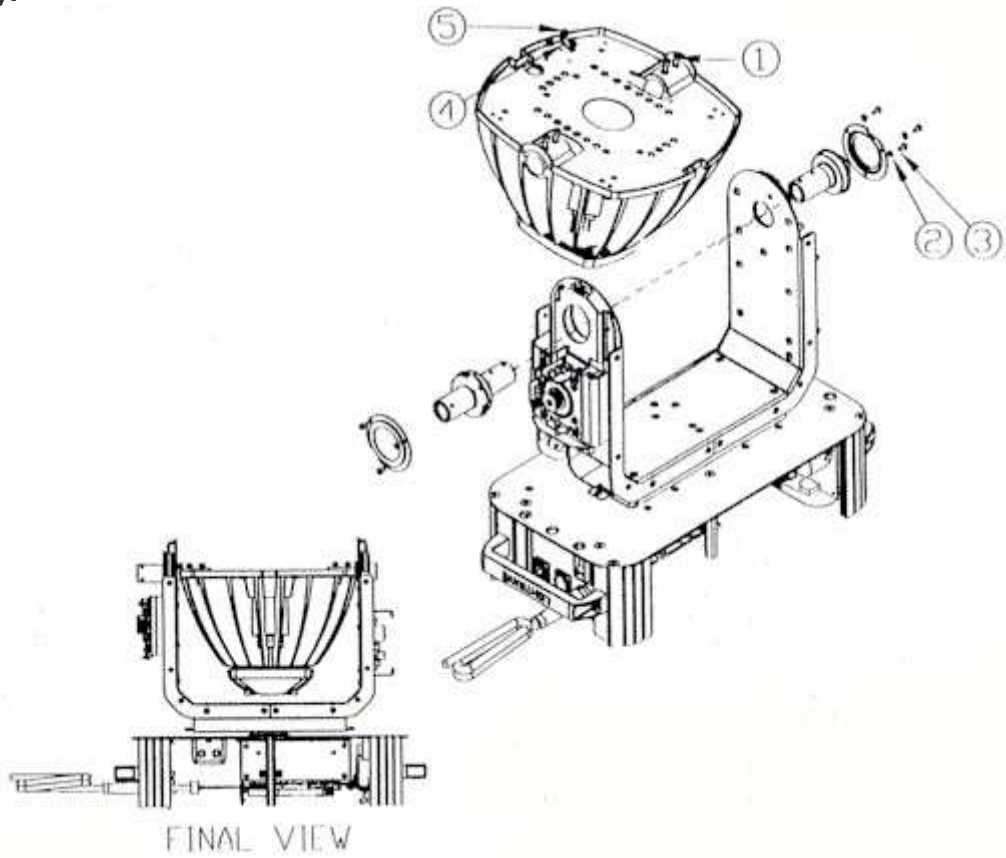
1.	90701071	Retainer Ring, Zinc Yellow
2.	80140028	Damper, Shaft Tensioner (Pan/Tilt)
3.	90702135	Spacer, .188 x 3/16 ID, 1/4 OD
4.	90703011	Nut, Lock 10 - 32 Nylon Insert
5.	90707086	Socket Cap, 6 -32 x 3/16
6.	90706058	Washer, Spring Stainless
7.	85000062	Stop, Pan
8.	90709020	Screw, Phil Pan 10 -32 x 3/8

Box Interior C



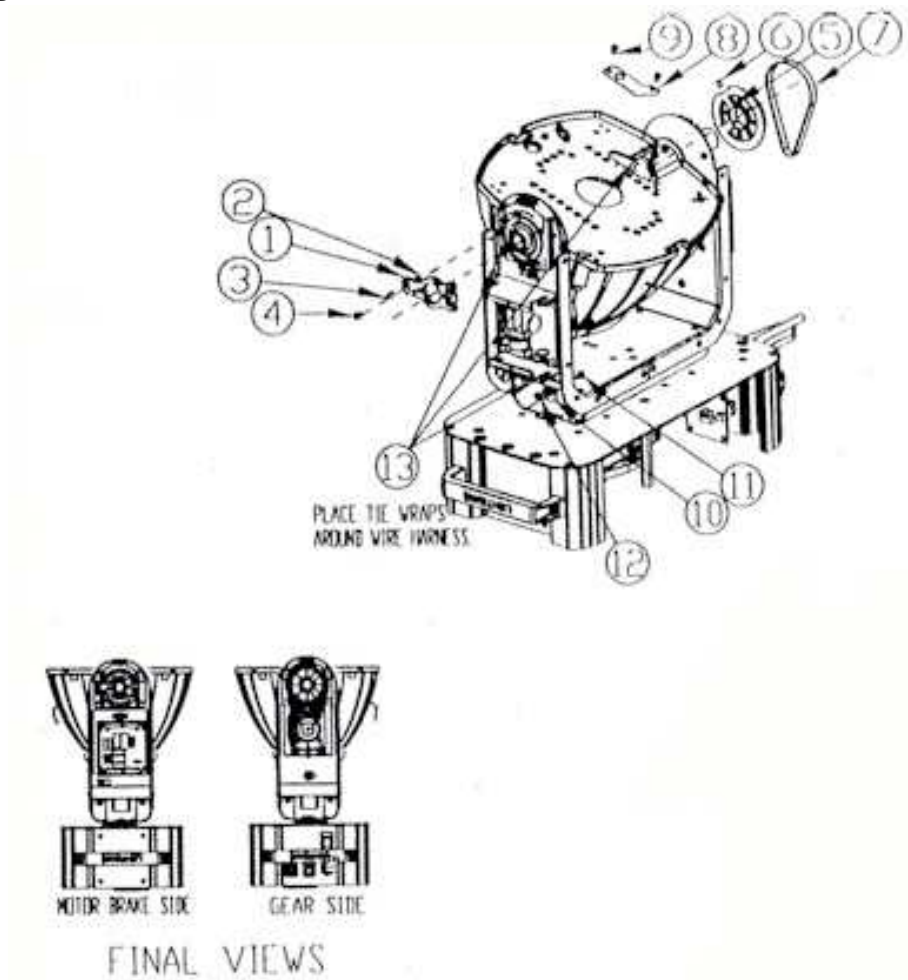
1.	99290011	Gear, Pan/Tilt Molded
2.	90701083	Set Screw, Cup Pt. 10 - 32 x 3/8
3.	99360013	Belt 3/8 W 68 Tooth
4.	90701082	Clip, Snap
5.	99330007	Tie Wrap
6.	90708005	Screw, Socket Flathead 8 - 32 x 3/8

Tilt Assy.



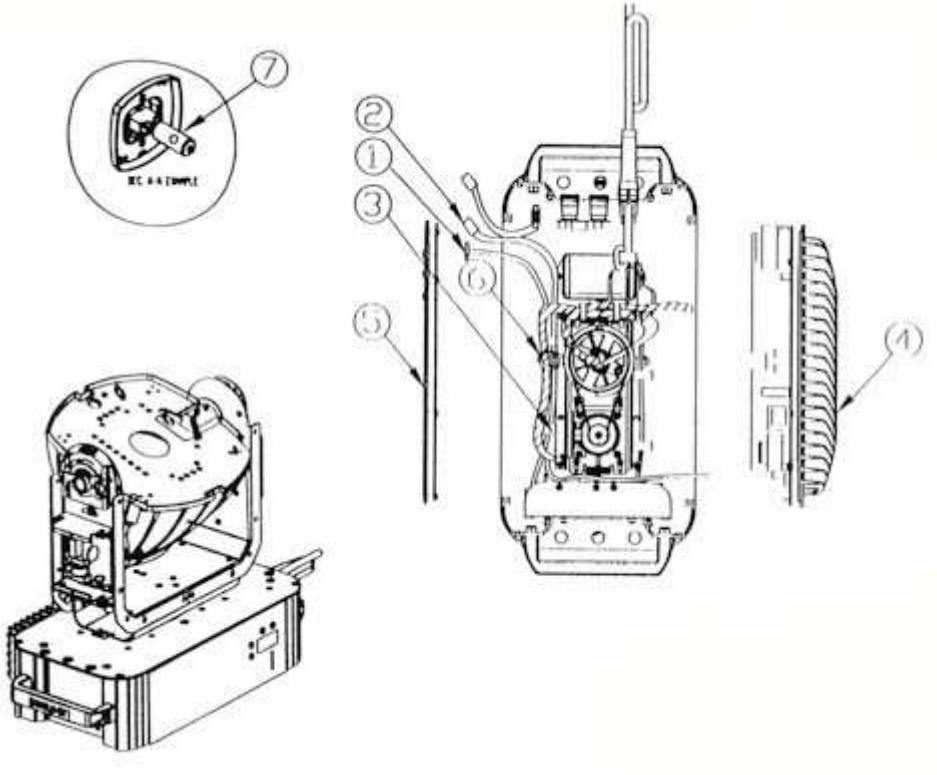
1.	90707033	Socket Cap 10 - 32 x 1/2 BZ Patch
2.	90706017	Washer, Lock #8 Int Tooth
3.	90709043	Screw, Phil Pan #8 x 3/8
4.	85000082	Strain Relief, Aluminum With Wings
5.	90703005	Keps Nut, 6 - 32

Tilt Assy. B



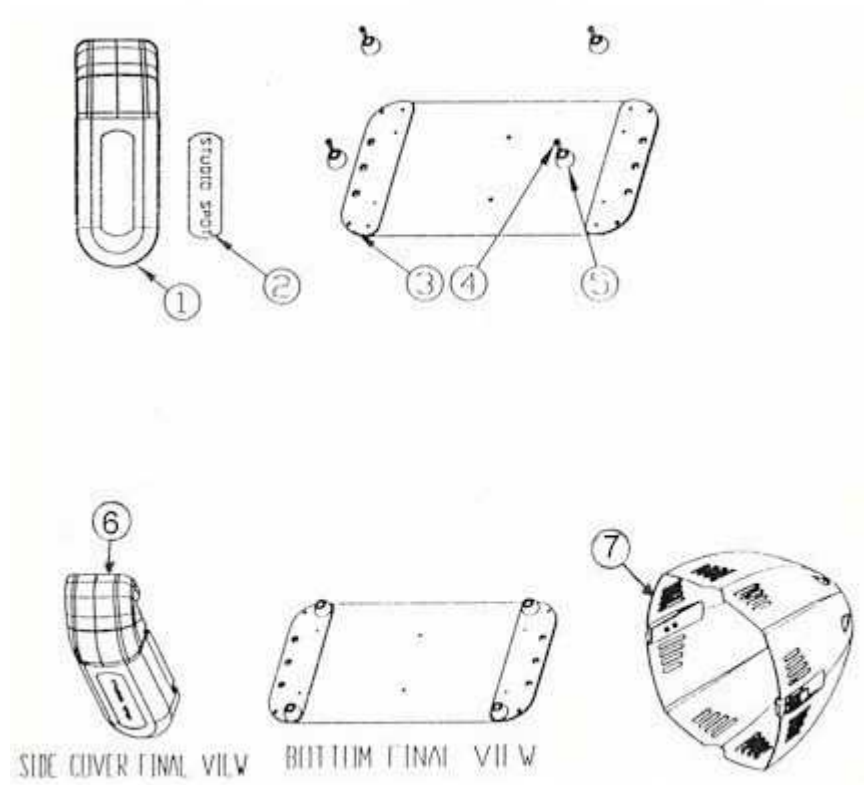
1.	80140028	Damper, Shaft Tensioner, Pan/Tilt
2.	90706078	Washer, #10 x .35OD x .203ID
3.	90702135	Spacer, .188 x 3/16ID, 1/4OD
4.	90709020	Screw, Phil Pan 10 - 32 x 3/8
5.	99290011	Gear, Molded Pan/ Tilt
6.	90701083	Set Screw, 10 - 32 x 3/8
7.	99360013	Belt, 3/8 68 Tooth
8.	80071278	Plate, Cable Harness Cover
9.	90711034	Screw, Phil Flat #8 x 3/8
10.	90701146	Clamp, Cable Steel/Vinyl
11.	90709121	Screw, Phil Truss Head 8 - 32 x 3/8
12.	90703023	Keps Nut 8 - 32
13.	99330007	Tie Wrap

Circuit Boards



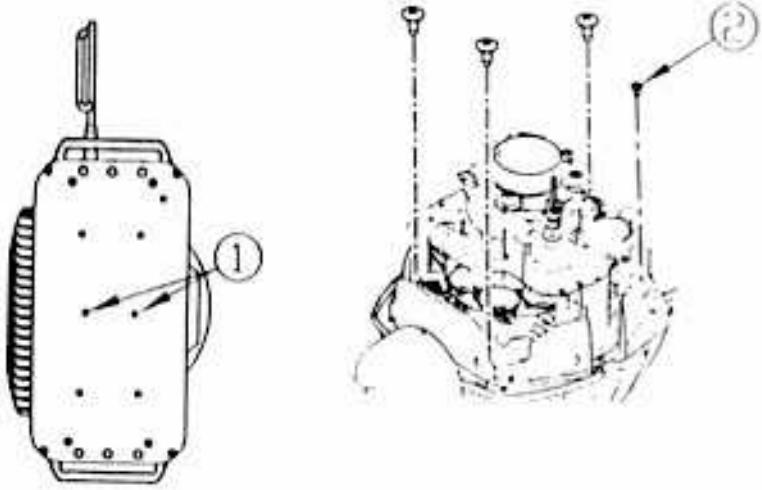
1.	80470117	Cable, Lamp-Logic
2.	80470118	Cable, 40V Motor Power
3.	90701082	Clip, Snap
4.	80050034	Lamp Switching Power Supply
5.	80010124	Board, Logic
6.	99330007	Tie Wrap
7.	55030052	Lamp, MSR 575/2

Bezel, Box Cover, Yoke Arm Cover



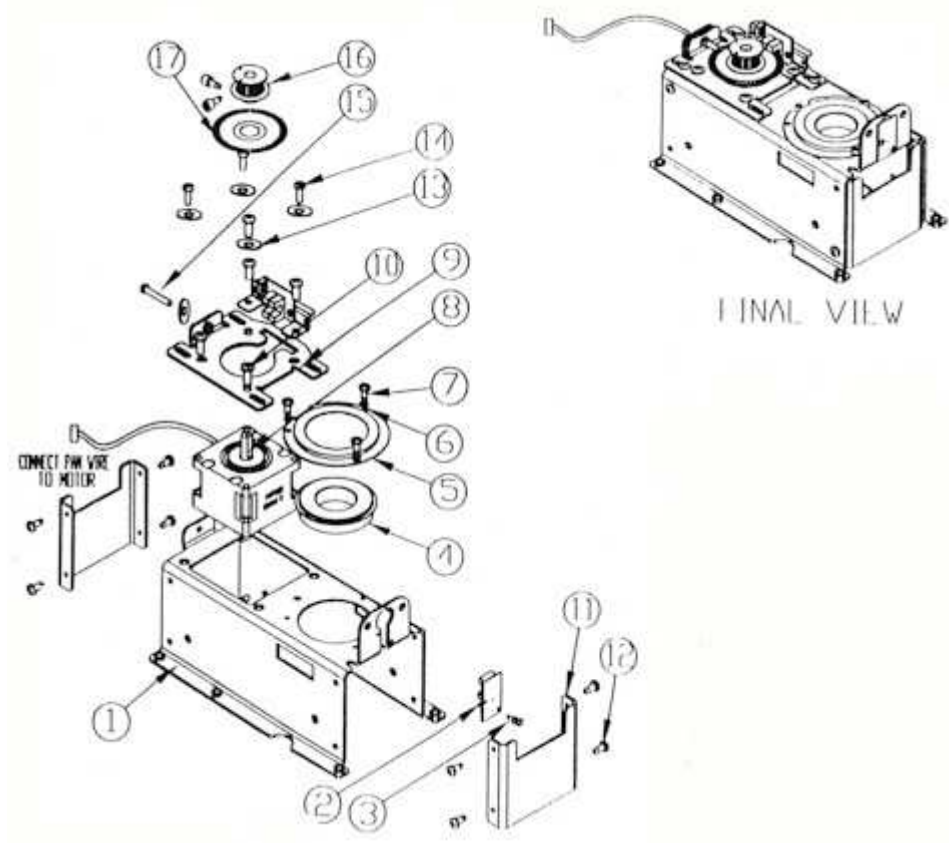
1.	99240017	Yoke Arm Cover
2.	99310312	Label, Yoke Arm 575
3.	80070366	Cover With Support
4.	90709062	Screw, Phil Pan #10 x 1/2
5.	90410089	Foot, Rubber
6.	99240021	Yoke Arm Cover Assy.
7.	80450056	Bezel Assy.

Optical Module, Box Cover



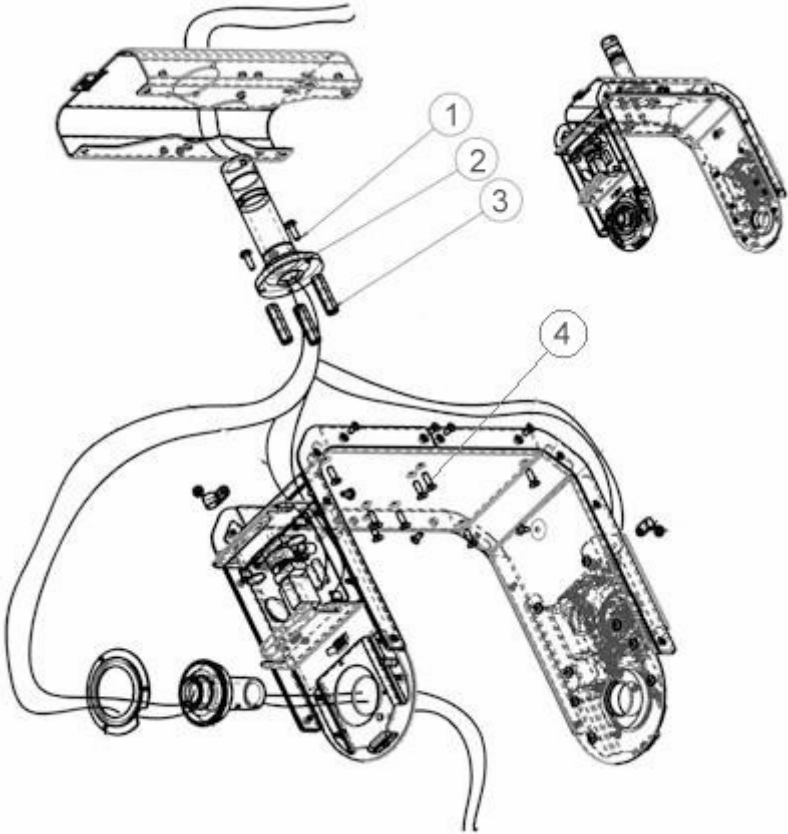
1.	90710009	Socket Button Head 1/4 - 20 x 3/4
2.	90709136	Screw, Phil Pan 8 - 32 x 5/16 With Star Washer

Pan Assy.



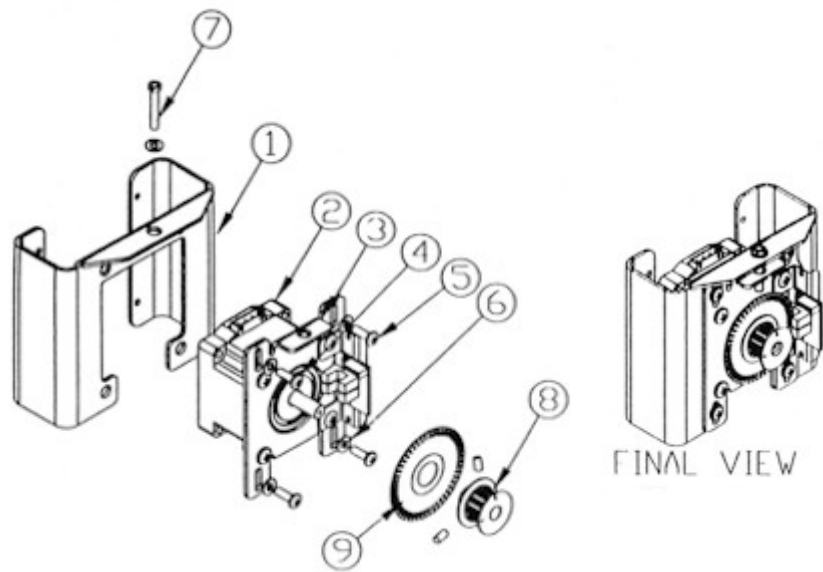
1.	99260262	Bracket, Pan Bearing
2.	80040017T	Board, Sensor Pan/Tilt
3.	90709030	Screw, Phil Pan #4 x 1/4
4.	90719068	Bearing
5.	99260250	Cap, Bearing Support
6.	90706017	Lock Washer, #8 Int Tooth
7.	90709043	Screw, Phil Pan #8 x 3/8
8.	99270028	Motor
9.	85000184	Plate, Pan/Tilt Motor
10.	90709124	Screw, Phil Pan 10 - 14 x 3/8
11.	99080065	Plate, Support Pan Motor Bracket
12.	90709024	Screw, Phil Pan #8 x 1/4
13.	90709090	Screw, Phil Pan 8 - 32 x 1/2
14.	90706012	Washer, Flat #10
15.	90704023	Bolt, Hex 8 - 32 x 5/8
16.	80150010	Gear with Encoder (included screws)
17.	99180029	Encoder wheel

Pan Tube- New Style (Standoffs)



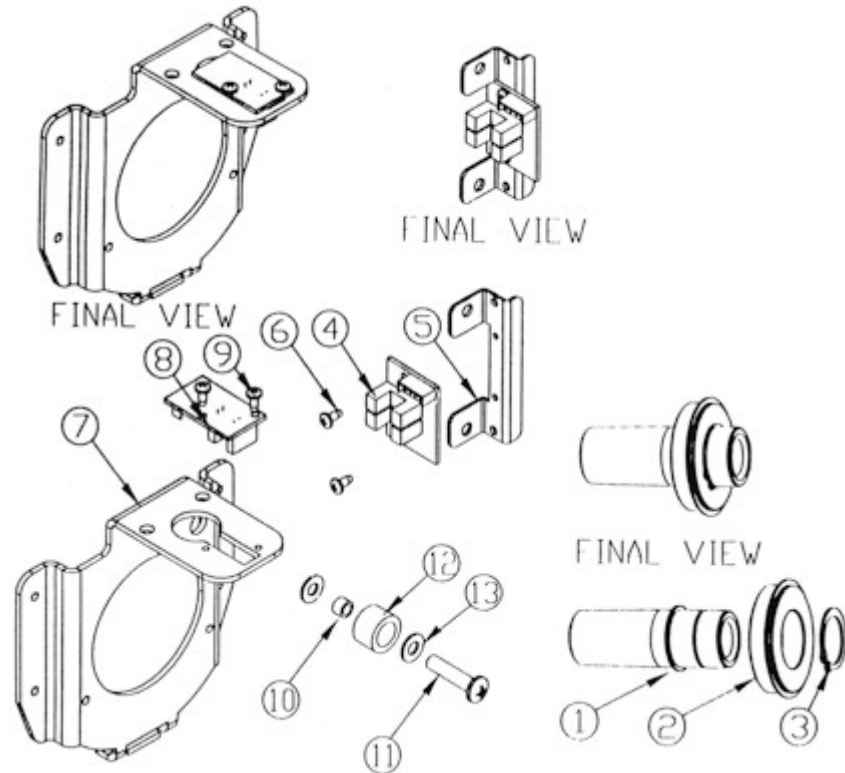
1.	90710014	Screw, Socket Button Head 10 -32 x 3/4
2.	99140016	Pan Tube
3.	90702143	Standoff, Hex 10 - 32 x 1.5
4.	90708009	Screw, Socket Flat Head 10 -32 x 1/2

Tilt Motor Assy



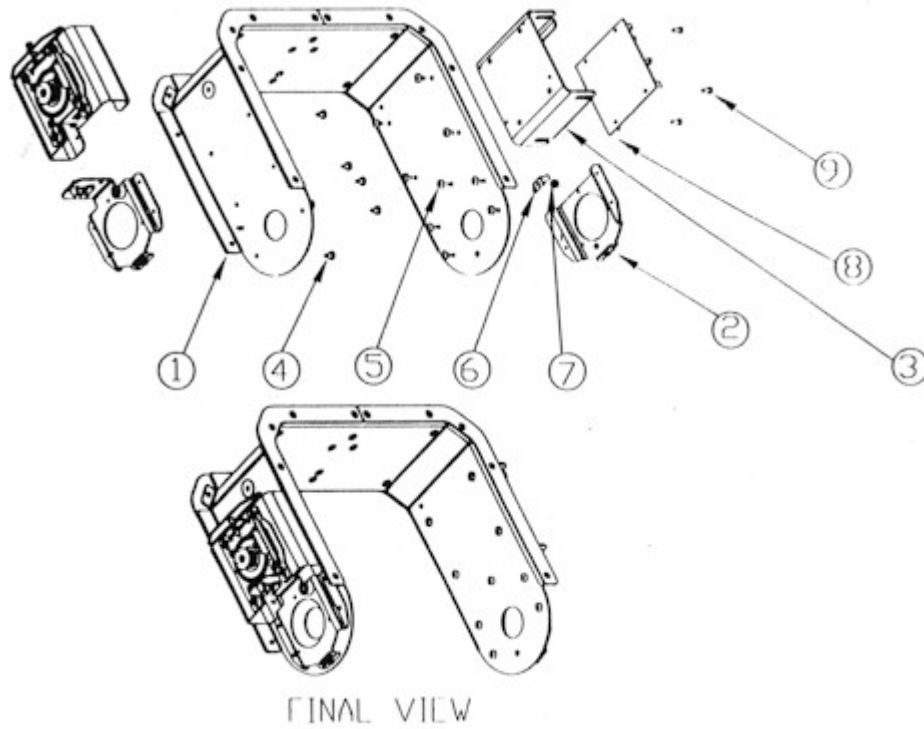
1.	99260263	Bracket, Tilt Motor
2.	99270028	Motor
3.	85000184	Plate, Pan/Tilt Motor
4.	90709124	Screw, Phil Pan 10 - 14 x 3/8
5.	90709090	Screw, Phil Pan 8 - 32 x 1/2
6.	90706012	Washer, Flat #10
7.	90704035	Bolt, Hex 8 - 32 x 1
8.	99430017	Pinion Gear
9.	99180029	Encoder Wheel
	90707091	Pinion Gear Set Screw
	80150010	Pinion Gear & Encoder Assembly

Tilt Bearing Assy. & Tilt Sensor



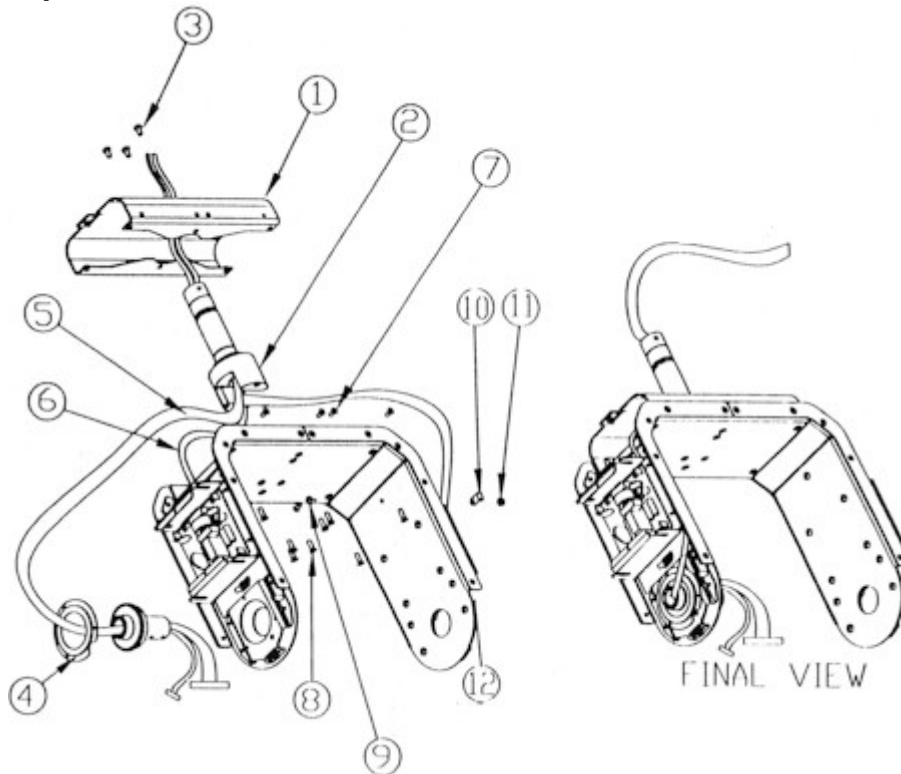
1.	99140011	Tube, Tilt Short With Shoulder
2.	90719068	Bearing
3.	90701071	Retainer Ring, Zinc
4.	80010085	Board, Dual Sensor
5.	99260261	Bracket, Encoder Sensor Board
6.	90709030	Screw, Phil Pan #4 x 1/4
7.	99260159	Bracket, Tilt Bearing Right
8.	80040017T	Board, Sensor Pan/Tilt
9.	90709030	Screw, Phil Pan #4 x 1/4
10.	90702070	Standoff, Pan/Tilt Stop
11.	90709103	Screw, Phil Pan 10 - 32 x 7/8
12.	90717022	Tubing, 3/8" Fuel
13.	90706056	Washer, Flat #10

Yoke Tilt Assy.



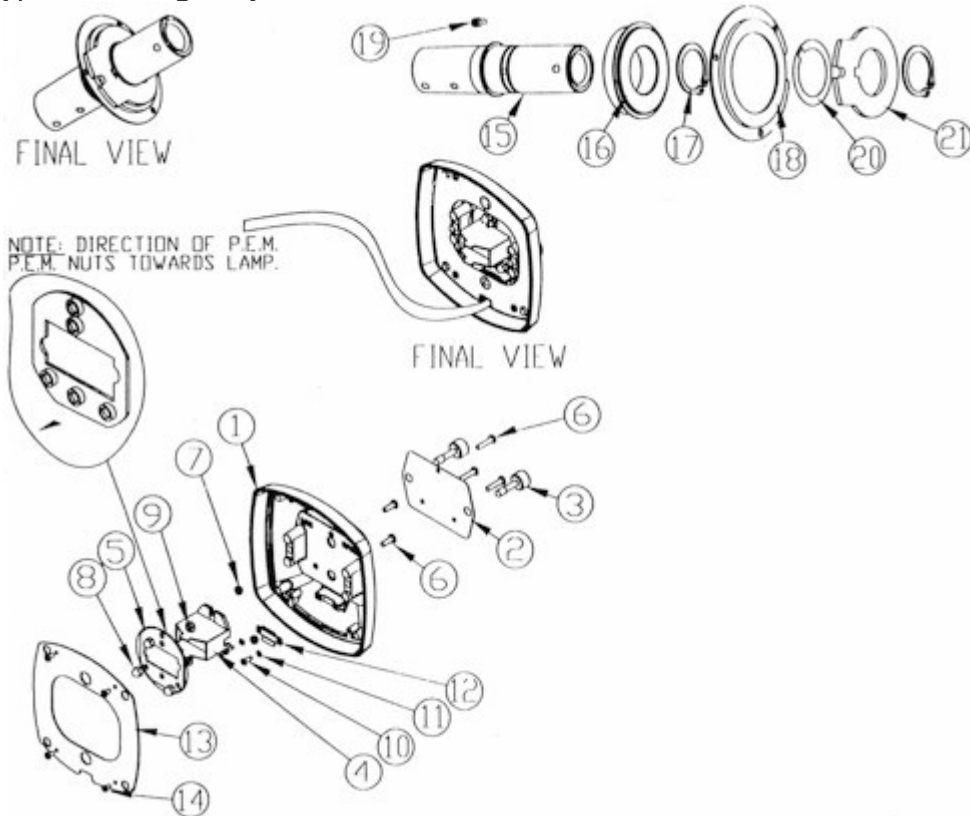
1.	80071276	Yoke Assy.
2.	99260158	Bracket, Tilt Bearing Left
3.	99260173	Bracket, Ignitor Board
4.	90709036	Screw, Phil Truss #8 x 3/8
5.	90709121	Screw, Phil Truss 8 - 32 x 3/8
6.	90408010	Terminal Block, Molex
7.	90703023	Keps Nut 8 - 32
8.	80060002T	Board, Ignitor 575
9.	90709039	Screw, Phil Pan 6 - 32 x 7/16

Yoke Pan Assy.



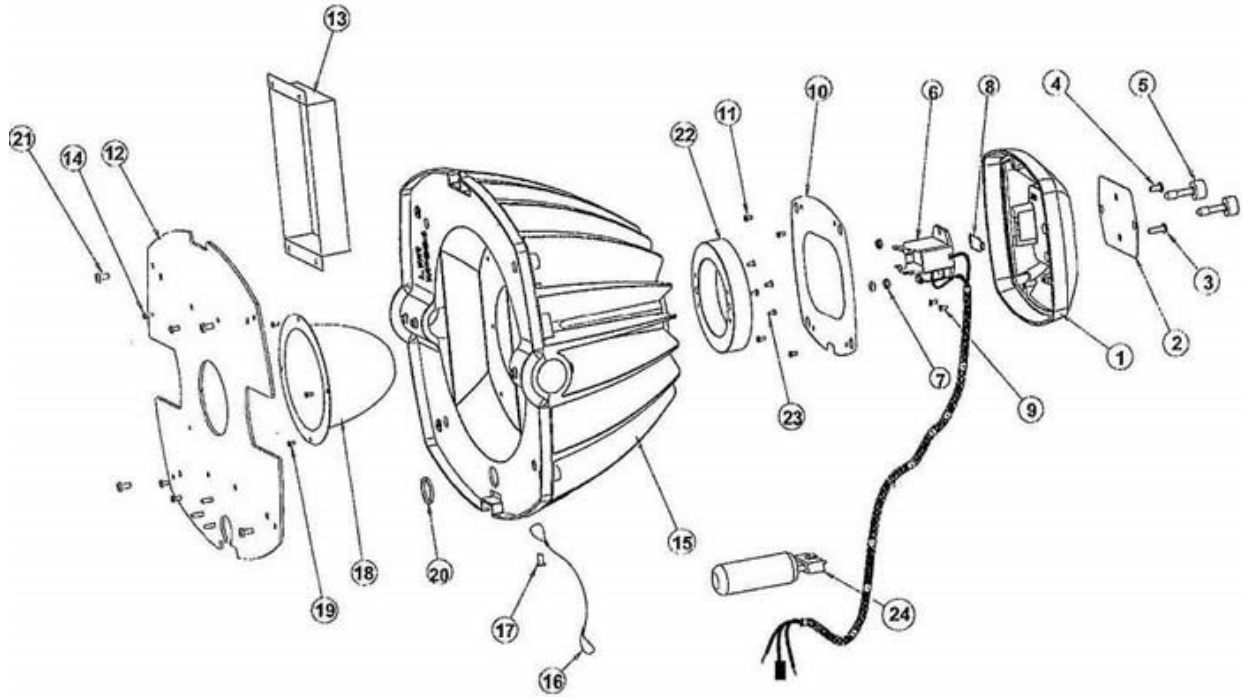
1.	80071239	Bracket, Top Yoke
2.	99260259	Shaft, Pan Tube
3.	90709020	Screw, Phil Pan 10 - 32 x 3/8
4.	99260250	Cap, Bearing Support
5.	80470161	Wire Harness, Main Electrical Board
6.	80470150	Wire Harness, Ignitor
7.	90708005	Screw, Socket Flathead 8 - 32 x 3/8
8.	90708009	Screw, Socket Flathead 10 - 32 x 1/2
9.	90709121	Screw, Phil Truss Head 8 - 32 x 3/8
10.	90410023	Cable Clamp, 3/16" Nylon
11.	90703023	Nut, Keps 8 - 32
12.	99330007	Tie Wrap

Lamp Cap, Tilt Bearing Assy.



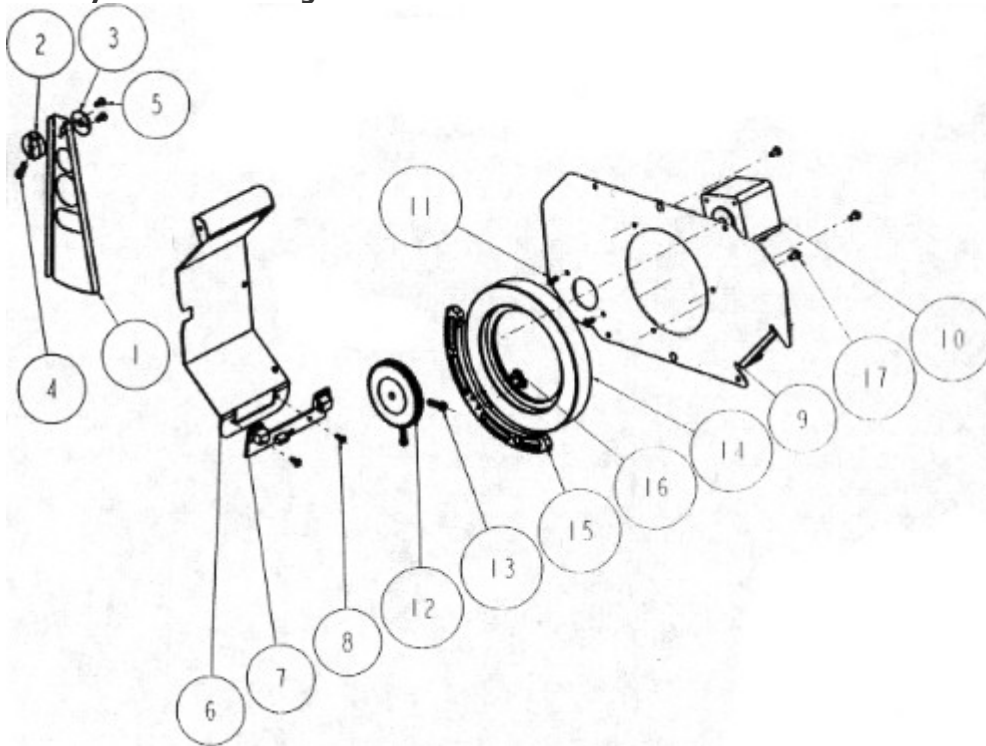
1.	90411023	Cap, Heatsink Studio Spot
2.	99310292	Label, Lamp Cap
3.	90705024	Thumbscrew, 1/4 Hex With Countersink
4.	80470149	Wire Harness, Lamp Socket
5.	99080078	Plate, Lamp Adjust
6.	90709090	Screw, Phil Pan 8 - 32 x 1/2
7.	90701002	Spring, #88
8.	90703055	Nut, Cap 8 - 32
9.	90703023	Nut, Keps 8 - 32
10.	90709016	Screw, Phil Pan #6 x 3/8
11.	90706012	Washer, Flat #10
12.	85000082	Strain Relief, Aluminum With Wings
13.	99220013	Plate, End Cap
14.	90709063	Screw, Phil Pan 8 - 32 x 3/4
15.	99140010	Tube, Tilt Long With Shoulder
16.	90719068	Bearing
17.	90701071	Retaining Ring, Zinc
18.	99260250	Cap, Bearing Support
19.	90707045	Socket Cap 6 - 32 x 1/4
20.	90706058	Washer, Spring Stainless
21.	85000137	Tilt Stop

Color: Reflector & Heatsink Assy.



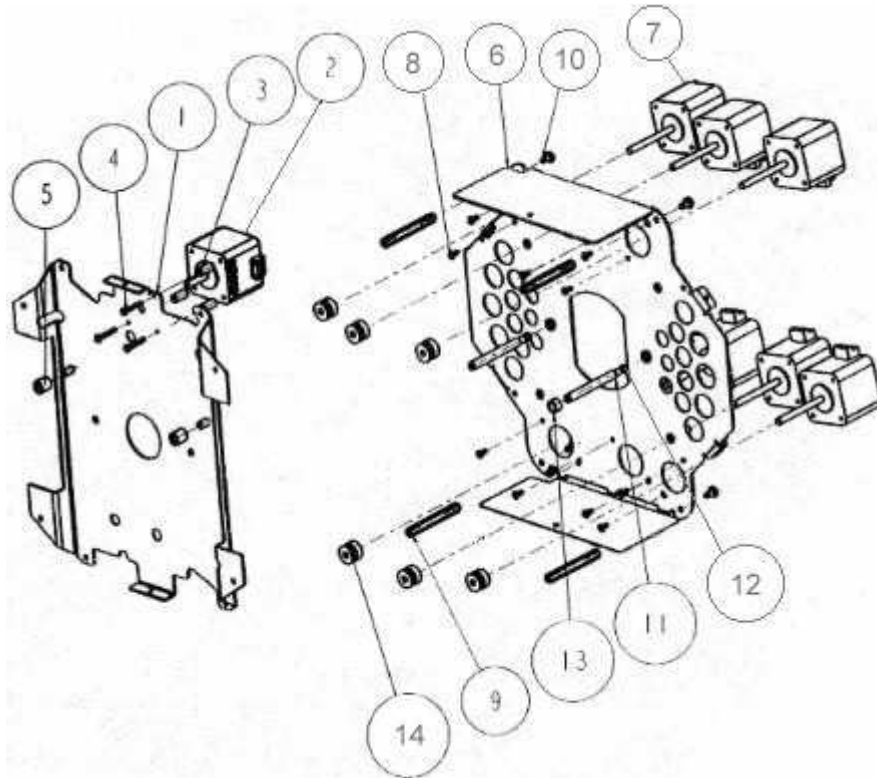
1.	90411023	Lamp Cap Heatsink
2.	99310292	Lamp Cap Label
3.	90709063	8-32 X 3/4 Phil Pan
4.	90709090	8-32 X 1/2 Phil Pan
5.	90705024	Thumbscrew, 1/4 Hex With Countersink
6.	80300010	Lamp Socket
7.	90703023	8-32 Keps Nut
8.	85000082	Strain Relief
9.	90709038	6-32 X 3/8 Phil Pan
10.	85000056	Plate
11.	90709014	6-32 X 1/4 Phil Pan
12.	85000025	Plate
13.	80260010	Heat Filter Assembly
14.	90709024	Screw, Phil Pan 6 - 32 x 3/8
15.	90411024	Heatsink
16.	90409024	Safety Cable
17.	90701003	Rivet
18.	99130009	Reflector
19.	90709012	6-32 X 1/4 Phil Pan Type F
20.	90410097	Rubber Grommet
21.	90709046	8-32 X 3/8 Phil Pan
22.	80070349	Counterweight
23.	90709079	6 - 32 x 3/8 Stainless
24.	55030052	MSR 575/2 Lamp

Color: Iris Assy. & Shutter Flag



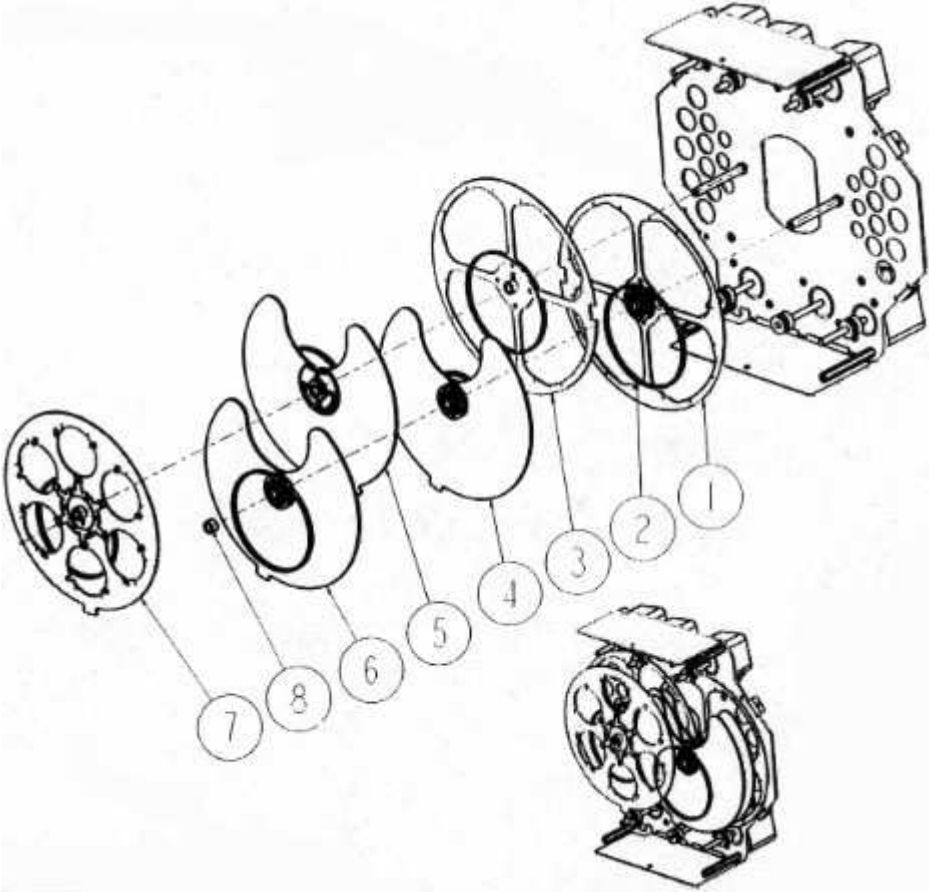
1.	99110035	Shutter Flag
2.	85000041	Shutter Hub
3.	90706060	Washer, Aluminum Shutter Flag
4.	90707043	Socket Cap 6 - 32 x 3/8
5.	90709073	Screw, Phil Pan 4 - 40 x 1/8
6.	80071203	Light Block
7.	80050021	Board, Wide Sensor
8.	90709030	Screw, Phil Pan 4 - 20 x 1/4
9.	80071206	Iris Mount
10.	99270070	Motor 2V
11.	90709073	Screw, Phil Pan 4 - 40 x 1/4
12.	99290017	Molded Gear, Iris
13.	90707030	Socket Cap 6 - 32 x 1/2
14.	99290013	Iris
15.	99290017	Drive Gear, Iris
16.	90707045	Socket Cap 6 - 32 x 1/4
17.	90709052	Screw, Phil Pan 6 - 32 x 1/4

Color: Optical Module Base



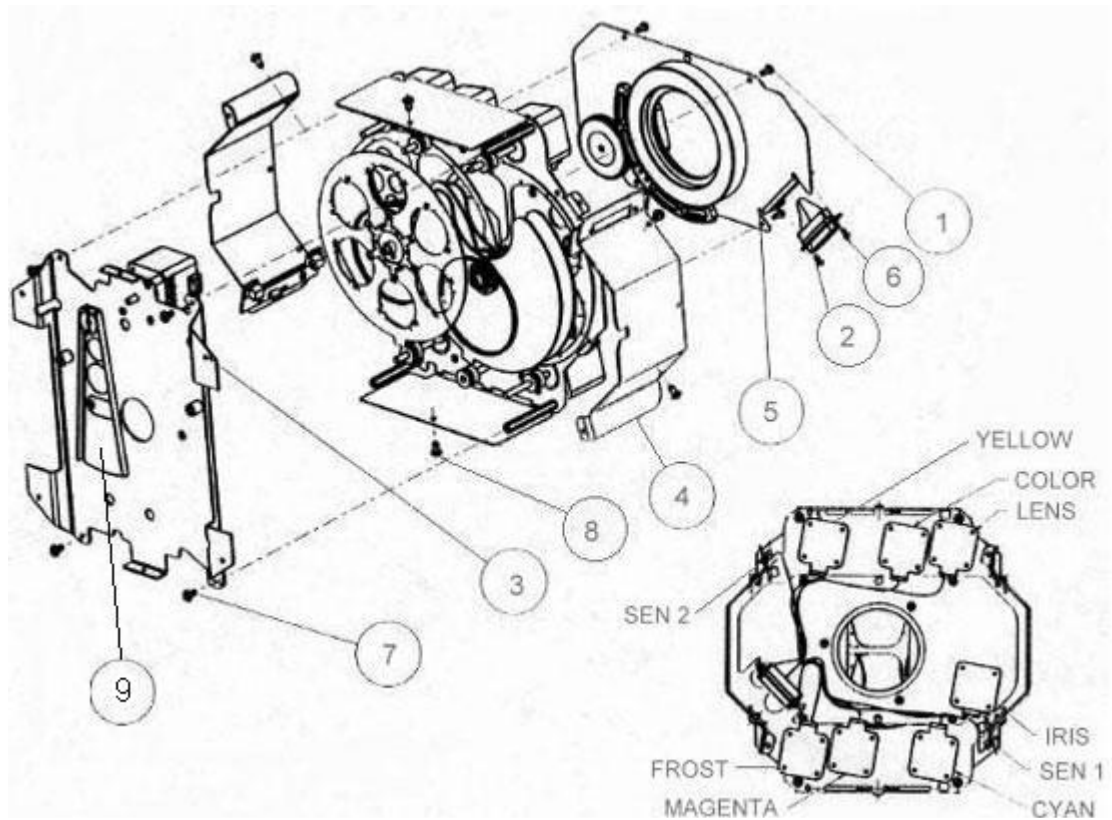
1.	80071204	Plate, Shutter Painted
2.	99270071	Motor 3V
3.	90702008	Spacer 1/4 x 1/4 #4 Thru
4.	90709066	Screw, Phil Pan 4 - 40 x 3/4
5.	90717024	Tubing, Silicone 3/16 ID
6.	80071205	Mount, Color Mixing
7.	99270073	Motor 4V
8.	90709073	Screw, Phil Pan 4 - 40 x 1/4
9.	99260098	Hex Standoff
10.	90709065	Screw, Phil Pan 8 - 32 x 5/16
11.	99260106	Shaft, Wheel
12.	90706063	Washer, Wave Beryllium
13.	90702090	Spacer, Bronze
14.	99360012	Pulley

Color: Optical Module Wheels



1.	80190017	Frost Wheel
2.	99360015	Belt, 1/8" Red Silicone
3.	80190016	Lens Wheel
4.	80560038	Wheel, Mixing Yellow
5.	80560036	Wheel, Mixing Cyan
6.	80560037	Wheel, Mixing Magenta
7.	80190015	Color Wheel
8.	90702090	Spacer, Bronze

Color: Optical Module Final



1.	90709101	Screw, With Star Washer 6 - 32 x 1/4
2.	90409027	Wire Harness, Optical Module
3.	80071204	Shutter Plate (plate only , not motor or hardware)
4.	80071203	Light Block
5.	80290003	Iris Assy.
6.	90709030	Screw, Phil Pan #4 x 1/4
7.	90709065	Screw, Phil Pan 8 - 32 x 5/16
8.	90709024	Screw, Phil Pan #8 x 1/4
9.	80210009	Shutter Assembly (flag, hub, & hardware)